



**Subject:** Grade 6 Natural Sciences

**Topic:** Electricity

**Total:** 30 Marks

**Name:** \_\_\_\_\_

**Date:** \_\_\_\_\_

**Question 1: True/False**

2 marks

A statically charged object will lose its charge if you touch it.

**TRUE**

**FALSE**

**This image refers to question: 2**



**Question 2: True/False**

2 marks

An **electric current** is electricity that moves in wires.

**TRUE**

**FALSE**

**Question 3: Text Input**

3 marks

The correct name for a torch 'battery' is a ... cell.

**Question 4: True/False**

2 marks

Copper is a good **insulator**.

TRUE

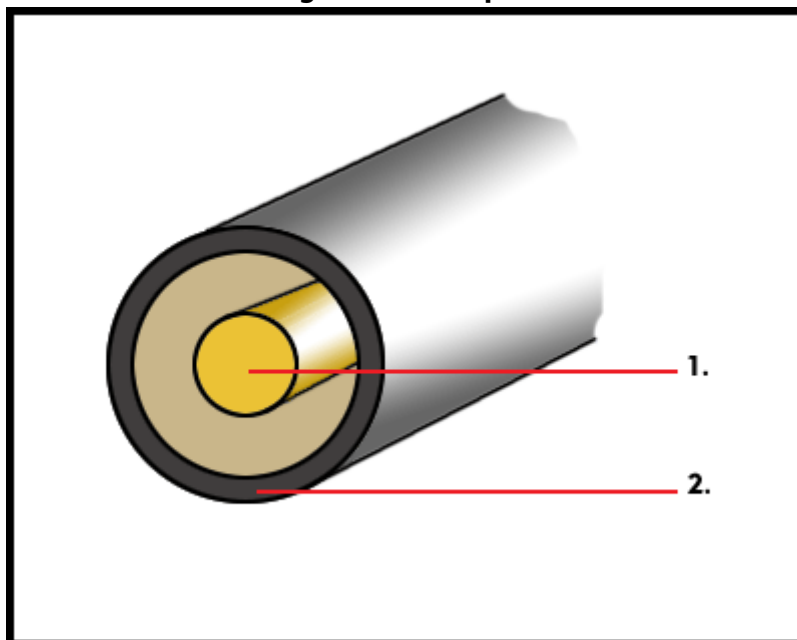
FALSE

**Question 5: Text Input**

3 marks

The ... in the engine of a car keeps the battery charged when driving.

**This image refers to question: 6**



**Question 6: Please Fill In The Blanks**

4 marks

In an electric cable, the (1) can be made of a copper, zinc and (2) alloy.

Possible Answers: conductor | silver | gold | insulator | lead | platinum

<b>1</b>	<input type="text"/>
----------	----------------------

<b>2</b>	<input type="text"/>
----------	----------------------

**This image refers to question: 7**

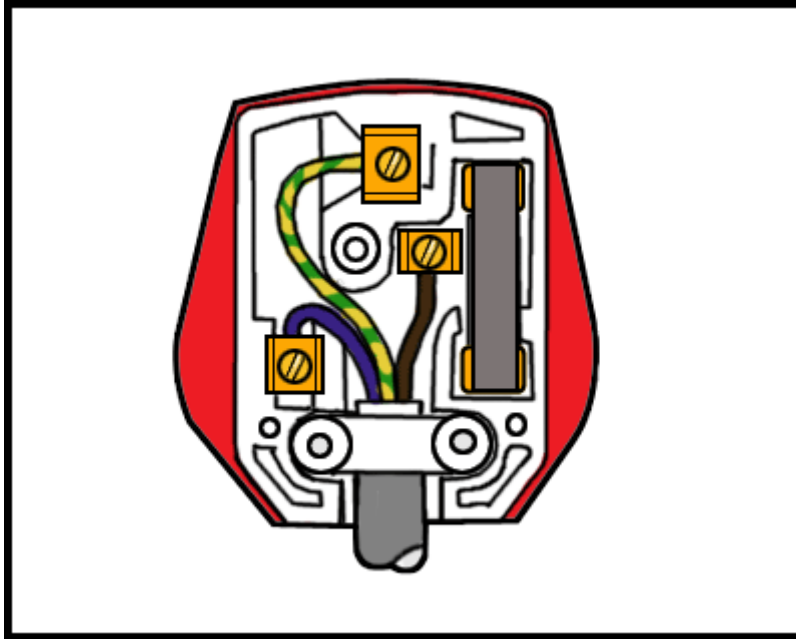


**Question 7: Text Input**

3 marks

Electricity does mainly three important things for us. It provides the following forms of energy; light, movement, sound and ... .

**This image refers to question: 8**



**Question 8: Please Fill In The Blanks**

4 marks

In a three-prong plug, the (1) wire is connected to the pin marked L. The L stands for (2) .

Possible Answers: blue | green-yellow | brown | neutral | live | earth

<b>1</b>	
----------	--

<b>2</b>	
----------	--

**This image refers to question: 9**



**Question 9: Text Input**

3 marks

Electricity is a form of ... .

**Question 10: Multiple Choice**

4 marks

A zinc and lead alloy will add ... to a wire cable.

- |          |                           |
|----------|---------------------------|
| <b>A</b> | strength and durability   |
| <b>B</b> | strength and hardness     |
| <b>C</b> | durability and hardness   |
| <b>D</b> | conductivity and strength |

---

**Total: 30 Marks**