
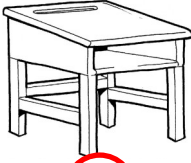
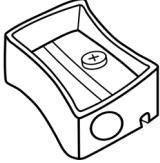
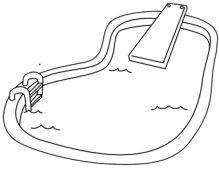




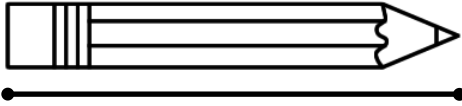

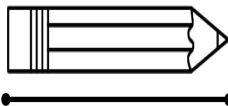
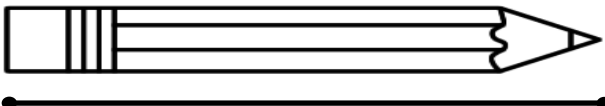
WorksheetCloud: **MEMORANDUM**

Grade 2 Maths
Measurement

1. Decide if you will measure the following items in millimetres (mm), centimetres (cm) or metres (m):

 mm cm m	 mm cm m	 mm cm m
 mm cm m	 mm cm m	 mm cm m

2. Use your ruler to measure the pencils below and then circle the correct length underneath:

 4cm 5cm 6cm	 2cm 7cm 12cm
 9cm 3cm 1cm	 1cm 8cm 3cm

3. Use your ruler to measure your own fingers on your left hand. Write the measurement in millimetres (mm) below:

Measure each
finger using a
ruler.

