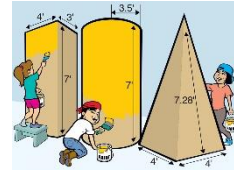


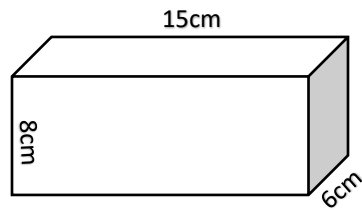


Grade 8 - Mathematics Surface Area and Volume 1



Activity

1. Calculate surface area of the following rectangular prism.



2. Calculate the surface area of a rectangular prism with a length of 12m, a breadth of 2,5m and a height of 3,5m.

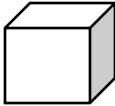
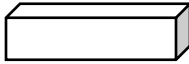
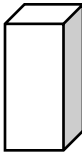
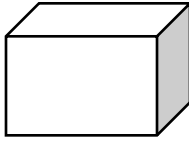
3. Calculate the surface area of a cube with sides of 95mm.



WorksheetCloud

4. Calculate the surface area of a rectangular prism with a length of 6cm, a breadth of 25mm and a height of 92mm.

5. Calculate the missing dimensions for each of the prisms below, to two decimal places:

Prism	Base dimensions	Height	Surface Area
1. 	$S = 7,25\text{mm}$		
2. 	$l = 5\text{m}$ $b = 4\text{m}$	$h =$	$SA = 94\text{m}^2$
3. 	$l = 10\text{cm}$ $b =$	$h = 25\text{cm}$	$SA = 850\text{cm}^2$
4. 	$l =$ $b = 15\text{mm}$	$h = 14\text{mm}$	$SA = 1\,870\text{mm}^2$



WorksheetCloud

Working: