



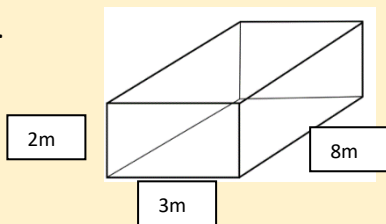
Grade 8

Mathematics

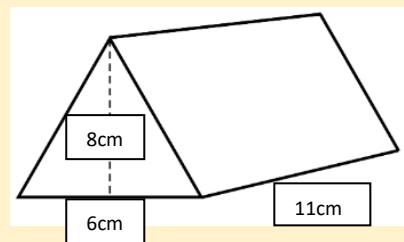
Volume

**Question 1: Find the volume of the following objects**

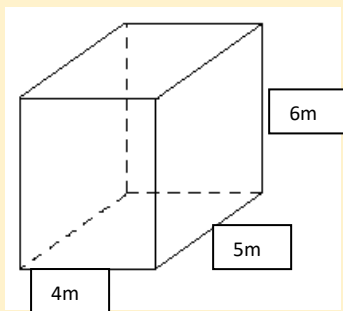
1.



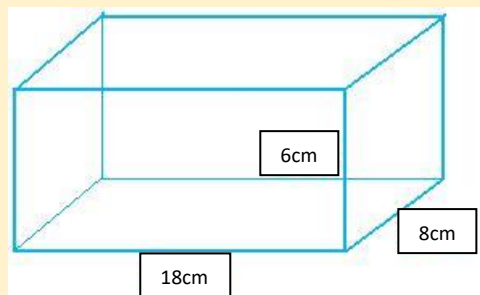
2.



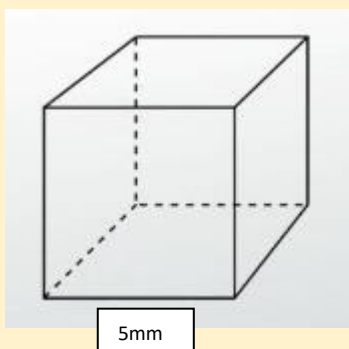
3.



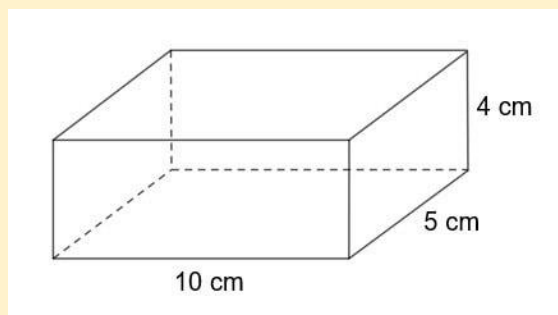
4.



5. a cube

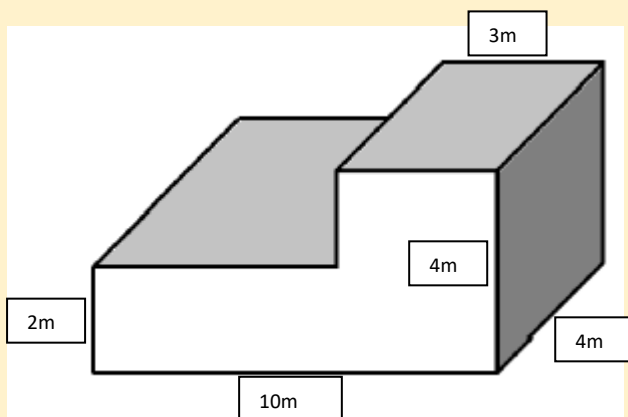


6.

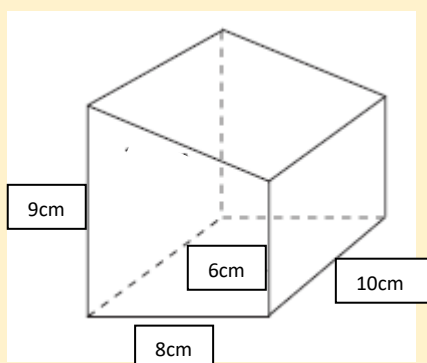


**Question 2: Find the volume of the following complex objects**

1.



2.



3.

